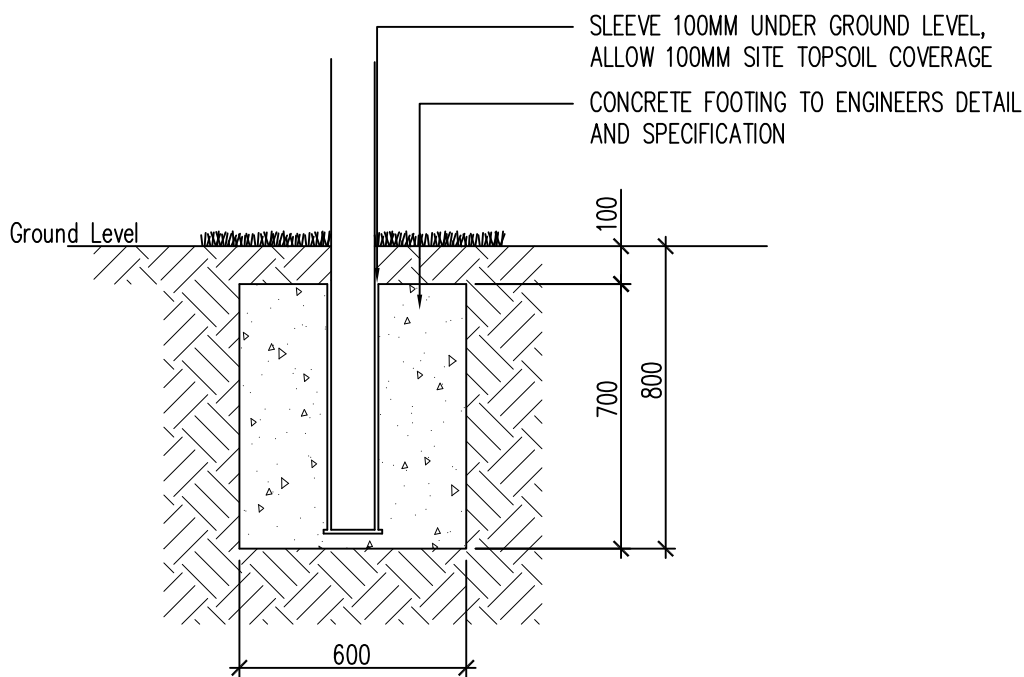


TYPICAL CROSS SECTION FOR
RECREATIONAL FUN GOAL POST



TYPICAL FOOTING DETAIL FOR
RECREATIONAL FUN GOAL POST

CITY OF CASEY

RECREATIONAL ELEMENTS
FUN GOAL POST DETAIL

MANAGER OF ENGINEERING &
ENVIRONMENTAL SERVICES
LAST UPDATE 09.11.2012

AMENDMENTS:

S-1017