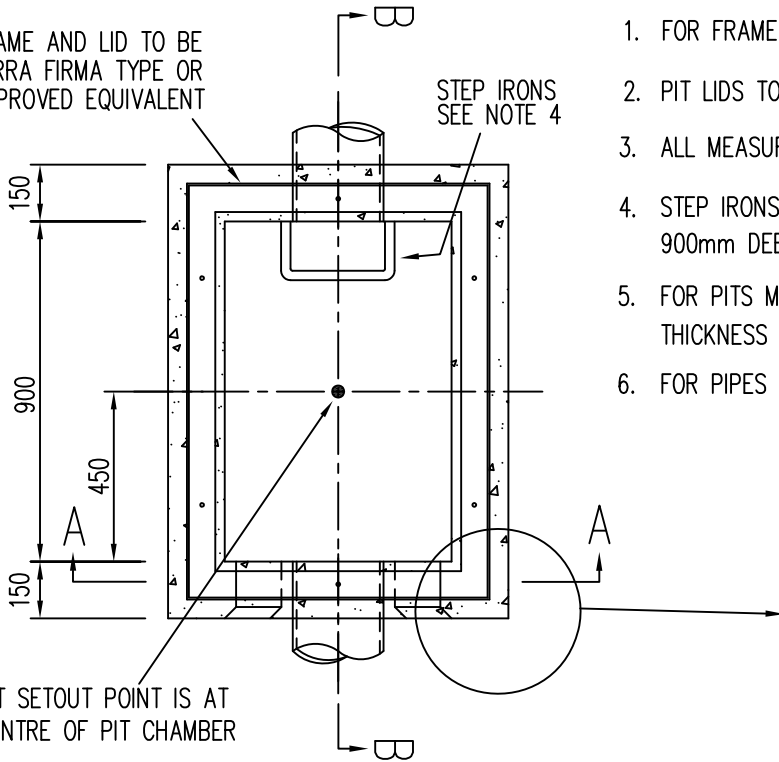


FRAME AND LID TO BE TERRA FIRMA TYPE OR APPROVED EQUIVALENT

STEP IRONS SEE NOTE 4

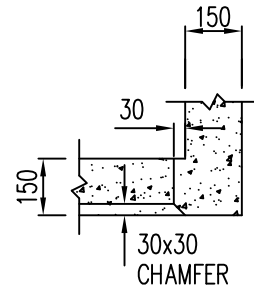


PIT SETOUT POINT IS AT CENTRE OF PIT CHAMBER

PLAN  
SCALE 1:20

NOTES:

1. FOR FRAME FIXING DETAILS SEE MANUFACTURES SPECIFICATIONS
2. PIT LIDS TO BE KHAKI GREEN.
3. ALL MEASUREMENTS ARE IN MILLIMETRES.
4. STEP IRONS TO BE PROVIDED IN ALL PITS OVER 900mm DEEP.
5. FOR PITS MORE THAN 1.5m DEEP, MINIMUM WALL AND BASE THICKNESS SHALL BE 200mm
6. FOR PIPES UP TO 450mm DIA.



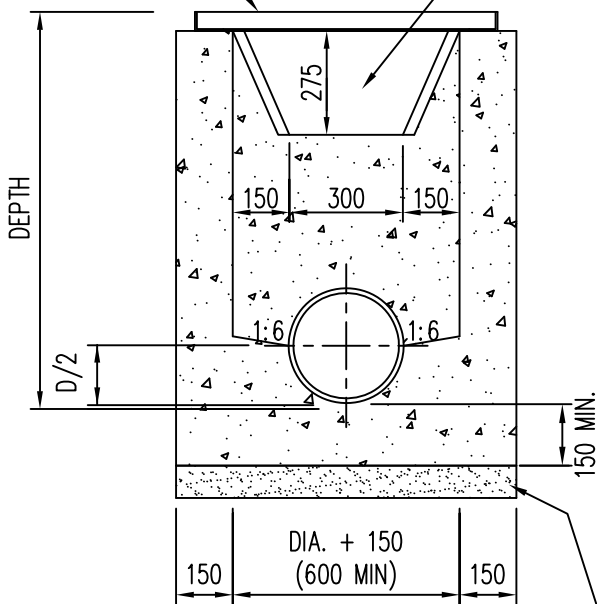
CORNER DETAIL

SCALE 1:20  
NOTE: LID NOT SHOWN

FRAME AND LID TO BE TERRA FIRMA TYPE OR APPROVED EQUIVALENT

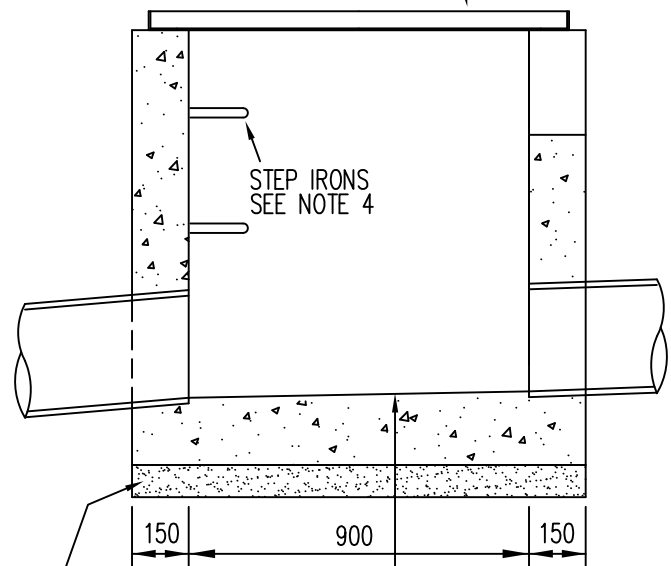
DEPTH OF V-NOTCH TO BE SET TO MATCH DEPTH OF TABLE DRAIN

PIT LID AND FRAME TO BE. SEE NOTE 1.



SECTION A-A  
SCALE 1:20

50mm COMPACTED DEPTH OF 20mm CLASS 3 F.C.R. BEDDING



SECTION B-B  
SCALE 1:20

SHAPE BOTTOM OF PIT AS SHOWN

**CITY OF CASEY**

ROADSIDE CATCH PIT  
900mm x 600mm

MANAGER OF ENGINEERING & ENVIRONMENTAL SERVICES

LAST UPDATE 09.11.2012

AMENDMENTS: OPENING TO TABLE DRAIN AMENDED

S-314

V2