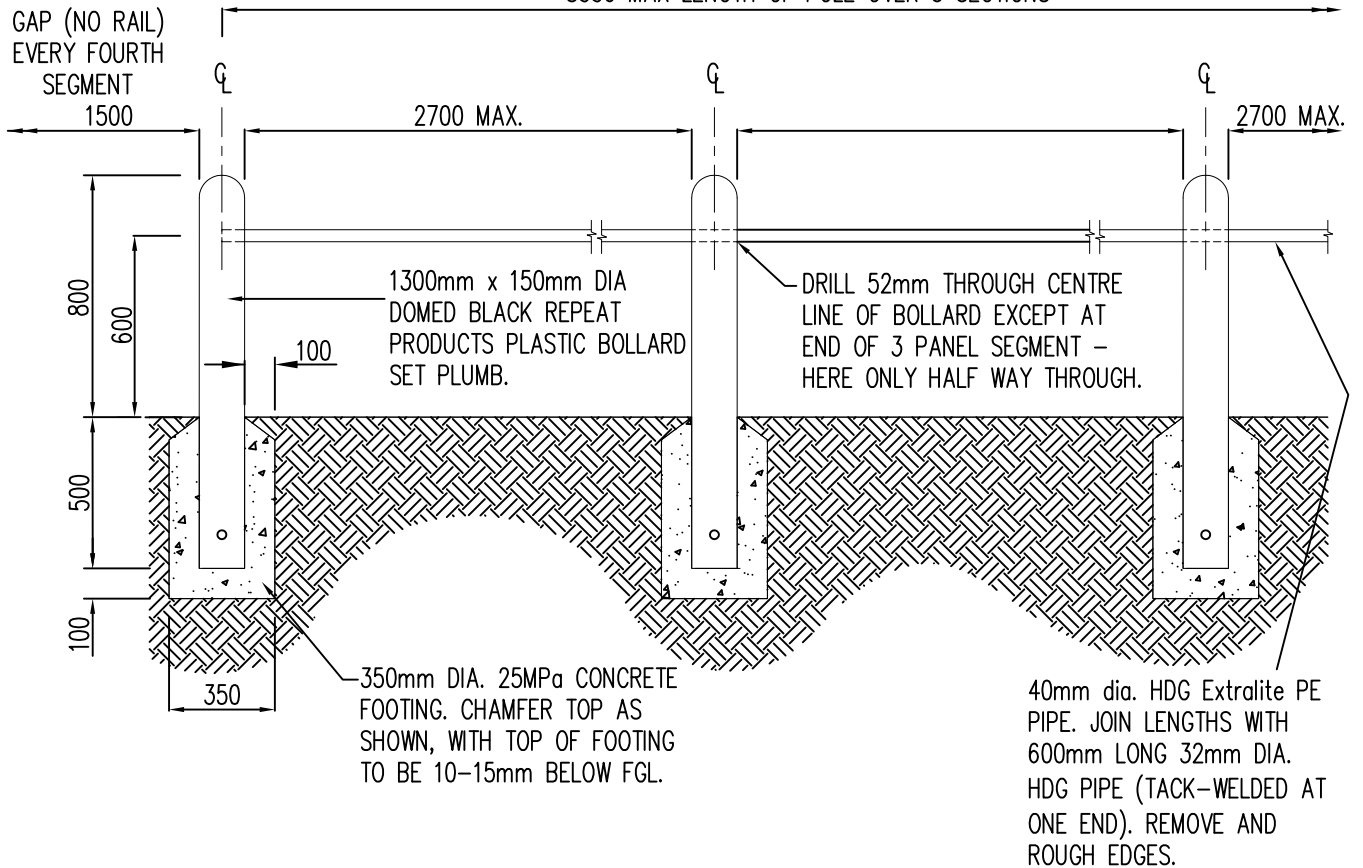


PEDESTRIAN ACCESS GAP – PROVIDE A GAP (NO RAIL) EVERY FOURTH SEGMENT

8550 MAX LENGTH OF POLE OVER 3 SECTIONS



CITY OF CASEY

RECYCLED PET ECO BOLLARD WITH RAIL

*Robert*

MANAGER OF ENGINEERING & ENVIRONMENTAL SERVICES

LAST UPDATE 09.11.2012

AMENDMENTS: GENERAL UPGRADE

S-704B

V2